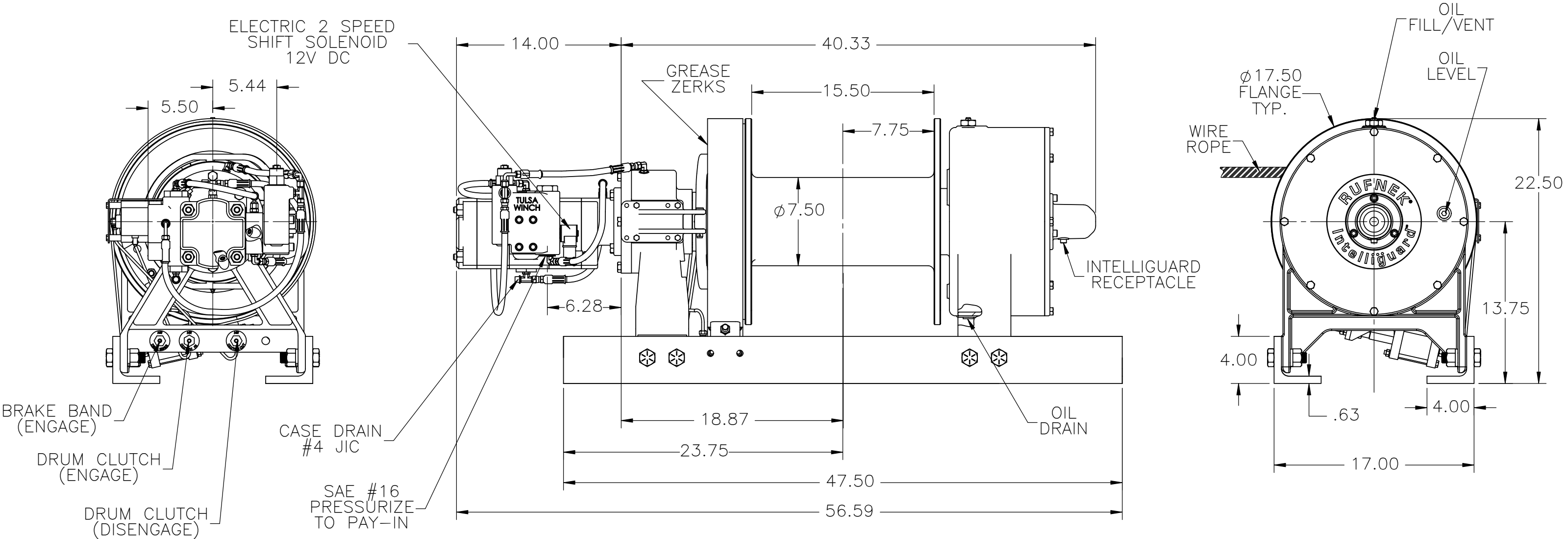


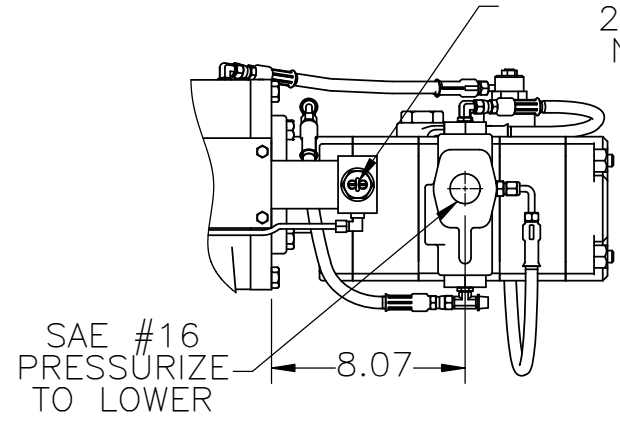
NOTES:

1. GEARBOX FILLED WITH DELVAC 75W-90 SYNTHETIC OIL (7 QTS)
2. THE BRAKE IS LUBRICATED & COOLED WITH THE OIL IN THE GEARBOX.
3. UNIT PRIMED WITH GRAY PRIMER
4. INTELLIGUARD SYSTEM SHIPPED AND CALIBRATED WITH WINCH

REVISIONS				
ZONE	REV.	DESCRIPTION	DATE	APPROVED
	1	TO UPDATE PERFORMANCE	4/8/2013	CR



CLUTCH POSITION INDICATOR  
 12V DC 35 AMPS  
 24V DC 20 AMPS  
 NORMALLY OPEN



WINCH PERFORMANCE SPECIFICATIONS					
PRESSURE: 2,500 PSI			CABLE DIA.: .88"		
LAYER	WINCH PERFORMANCE LOW SPEED 60 GPM	WINCH PERFORMANCE HIGH SPEED 60 GPM	TOTAL DRUM CAPACITY (FT)		
	STALL LINE PULL (LBS)	WINCH SPEED (FPM)	STALL LINE PULL (LBS)	WINCH SPEED (FPM)	
FIRST	50,000	40	21,231	83	34
SECOND	41,501	49	17,561	100	74
THIRD	35,385	57	14,973	117	122
FOURTH	30,840	65	13,058	134	176
FIFTH	27,330	74	11,565	152	238

**UNLESS OTHERWISE SPECIFIED**

- All dimensions are in inches
- Inside corner radii .03"
- Outside chamfer .03 X 45°
- Remove all burrs, break sharp edges
- Fastener torque per EN11000

Tolerances: Fractions ±1/32 Angles ±1/2°  
 3 Place Decimal ±.010 Concentricity .010 TIR  
 2 Place Decimal ±.030 Machine Finish 125

**DO NOT SCALE DRAWING**

This drawing is the property of TWG. Reproduction or the divulging of data hereon is not permitted without specific approval of TWG.

**TWG**

**RN50P INSTALLATION**

DRAWN BY: DB	DATE: 11-13-12	<b>B</b> MATERIAL	DRAWING NO. <b>182438001</b>	REV <b>1</b>
APPD. BY:	DATE:		WT APPROX 985	HEAT TREAT