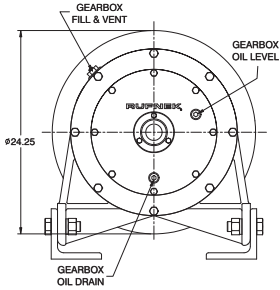
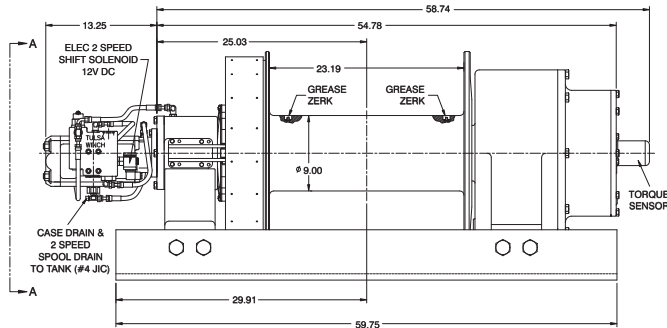
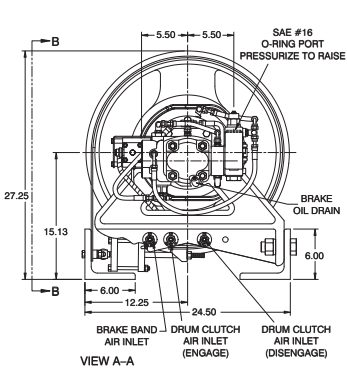
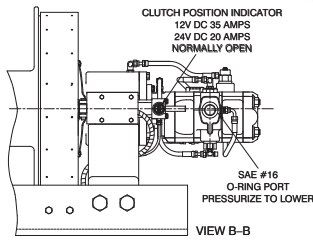
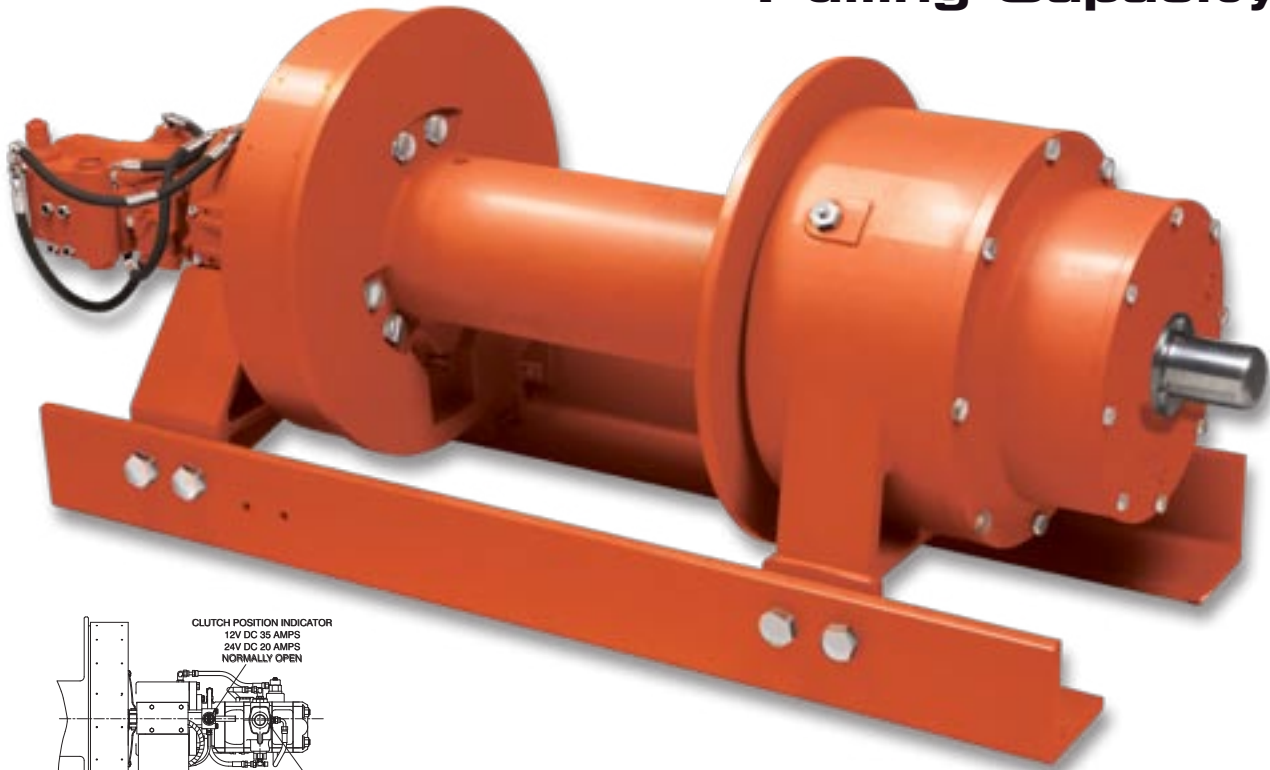


# 100,000 lb. Pulling Capacity



Approximate weight: 2,060 lb / 934 kg

## PERFORMANCE DATA

2,750 PSI @ 60 GPM / 190 BAR @ 227 LPM

Layer	Low Speed				High Speed				Cable	
	Linepull (lb)	Linepull (kg)	Linespeed (fpm)	Linespeed (mpm)	Linepull (lb)	Linepull (kg)	Linespeed (fpm)	Linespeed (mpm)	Capacity (ft)	Capacity 1.125" Ø (m)
1	100,000	45,357	23	7	45,901	20,816	49	15	53	16
2	81,830	37,110	28	8	37,555	17,031	60	18	118	36
3	69,241	31,401	33	10	31,777	14,411	71	22	194	59
4	60,009	27,214	38	12	27,540	12,490	82	25	283	86
5	52,949	24,012	43	13	24,300	11,020	93	28	383	117
6	47,376	21,485	48	15	21,742	9,860	104	32	495	151

### CAUTION:

The last 5 wraps of cable must be left on the drum to assist the cable clamp in holding the load.

### WARNING:

Winches and capstans are not intended to be used for lifting or moving of persons.

# RN100P

RUFNEK® with *Intelliguard™* Planetary Winch

# When It Comes To Advanced Safety, No Other Winch Comes Close.



Introducing RUFNEK®  
with *Intelliguard™*



## RUFNEK®

with *Intelliguard™*



**At Tulsa Winch Group, we know that  
downtime affects your bottom line.**

That's why every planetary winch that bears the RUFNEK® brand now delivers a higher measure of safety than any other winch on the market. RUFNEK® with Intelliguard™ is added protection from winch overloading on bed trucks, winch trucks and pole trucks—helping operators avoid accidents and injuries.

And helping you prevent equipment failure, lost time and lost productivity.

**Smart Technology to Help You  
Work Safer**

RUFNEK® with Intelliguard™ is a capacity-alert system using field-proven technology to measure torque information each time your winch is operated. As the winch approaches its maximum rating, Intelliguard's light indicator warns the operator and records the event.

Intelliguard's electronic records are easily downloadable, enabling fleet and safety managers to make more informed decisions about preventive maintenance, equipment handling and safety training.

**If winch  
overloading  
is costing you,  
it's time you  
discovered  
RUFNEK® with  
Intelliguard™.**



## **RUFNEK® with Intelliguard™**

- ● ● Field-proven technology to reduce accidents, injuries, equipment failure and costly downtime due to winch overloading
- ● ● Captures critical data on winch overload activity, including date and time of event
- ● ● Records start-and-stop run times of the truck engine
- ● ● Provides an electronic record of vital winch data that is easy to analyze
- ● ● Easy-to-read light indicator alerts operators to safe and unsafe loading capacities based on winch rating, enabling them to make better, safer operating decisions
- ● ● Allows fleet and safety managers to properly size winches for specific applications

Available as a retrofit  
on any in-field RUFNEK®  
planetary winch



[www.team-twg.com](http://www.team-twg.com)

PO Box 1130 | Jenks, OK 74037-1130  
voice 918.298.8300 | fax 918.298.8367