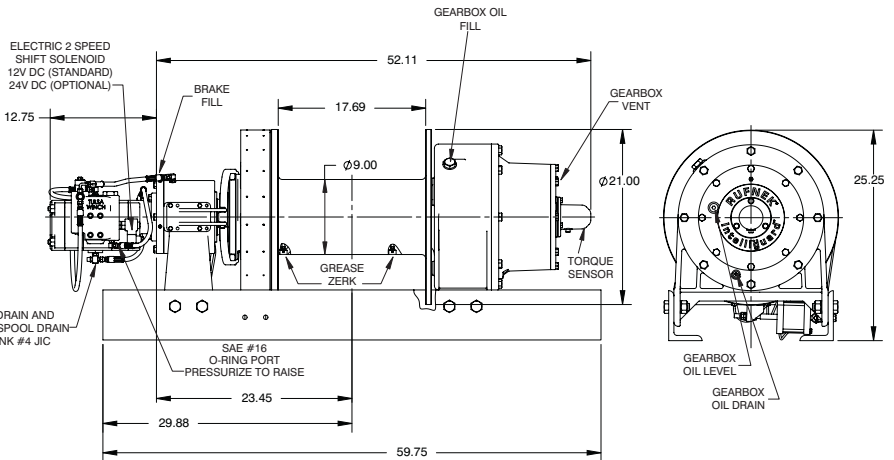
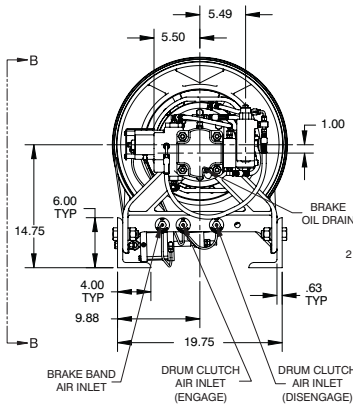
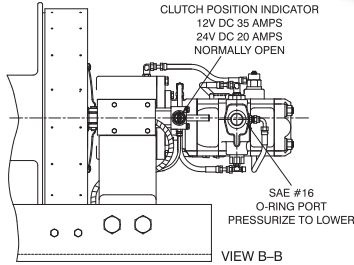
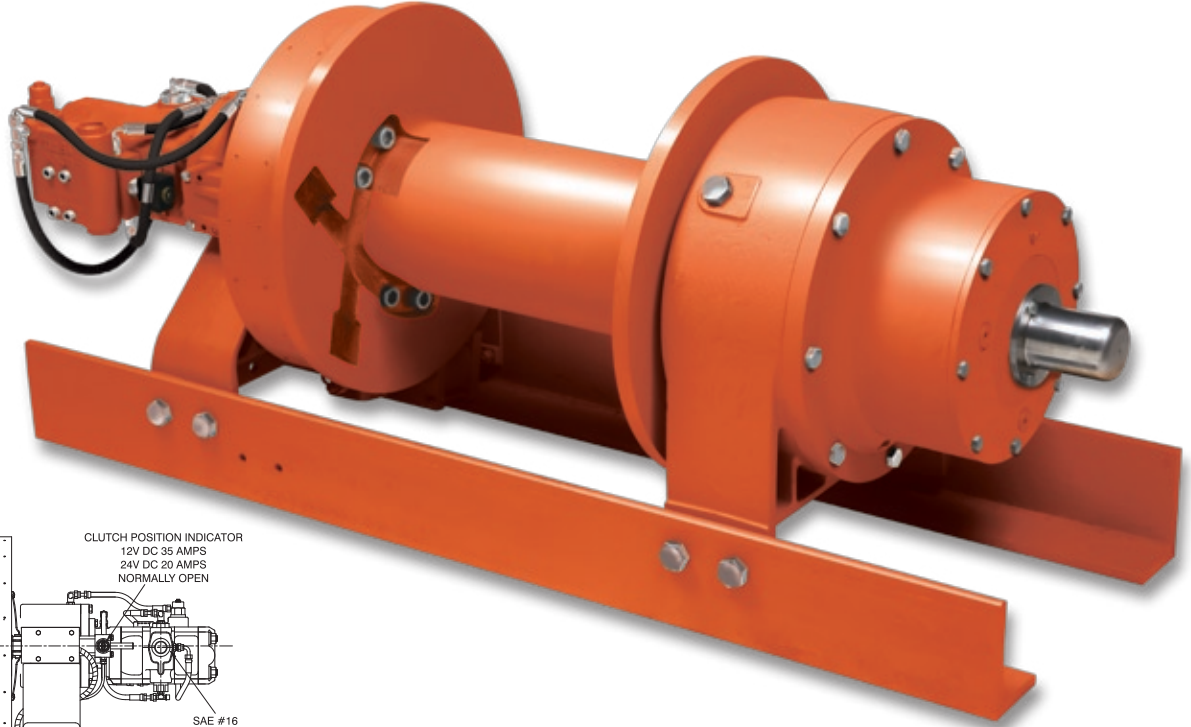


RN80P

RUFNEK® with Intelliguard™ Planetary Winch

80,000 lb. Pulling Capacity



Approximate weight: 1,645 lb / 746 kg

PERFORMANCE DATA

2,700 PSI @ 60 GPM / 186 BAR @ 227 LPM

Layer	Low Speed				High Speed				Cable	
	Linepull (lb)	Linepull (kg)	Linespeed (fpm)	Linespeed (mpm)	Linepull (lb)	Linepull (kg)	Linespeed (fpm)	Linespeed (mpm)	Capacity (ft)	1.0" Ø (m)
1	80,000	36,287	27	8	36,526	16,565	60	18	45	14
2	66,679	30,239	33	10	30,438	13,804	72	22	98	30
3	57,153	25,919	38	12	26,090	11,832	84	26	160	49
4	50,009	22,679	44	13	22,829	10,353	96	29	231	70
5	44,453	20,159	49	15	20,292	9,203	108	33	312	95

CAUTION:

The last 5 wraps of cable must be left on the drum to assist the cable clamp in holding the load.

WARNING:

Winches and capstans are not intended to be used for lifting or moving of persons.

When It Comes To Advanced Safety, No Other Winch Comes Close.



Introducing RUFNEK®
with *Intelliguard*™



RUFNEK®

with *Intelliguard*™



**At Tulsa Winch Group, we know that
downtime affects your bottom line.**

That's why every planetary winch that bears the RUFNEK® brand now delivers a higher measure of safety than any other winch on the market. RUFNEK® with Intelliguard™ is added protection from winch overloading on bed trucks, winch trucks and pole trucks—helping operators avoid accidents and injuries.

And helping you prevent equipment failure, lost time and lost productivity.

**Smart Technology to Help You
Work Safer**

RUFNEK® with Intelliguard™ is a capacity-alert system using field-proven technology to measure torque information each time your winch is operated. As the winch approaches its maximum rating, Intelliguard's light indicator warns the operator and records the event.

Intelliguard's electronic records are easily downloadable, enabling fleet and safety managers to make more informed decisions about preventive maintenance, equipment handling and safety training.

**If winch
overloading
is costing you,
it's time you
discovered
RUFNEK® with
Intelliguard™.**



RUFNEK® with *Intelliguard™*

- ● ● Field-proven technology to reduce accidents, injuries, equipment failure and costly downtime due to winch overloading
- ● ● Captures critical data on winch overload activity, including date and time of event
- ● ● Records start-and-stop run times of the truck engine
- ● ● Provides an electronic record of vital winch data that is easy to analyze
- ● ● Easy-to-read light indicator alerts operators to safe and unsafe loading capacities based on winch rating, enabling them to make better, safer operating decisions
- ● ● Allows fleet and safety managers to properly size winches for specific applications

Available as a retrofit
on any in-field RUFNEK®
planetary winch



www.team-twg.com

PO Box 1130 | Jenks, OK 74037-1130
voice 918.298.8300 | fax 918.298.8367